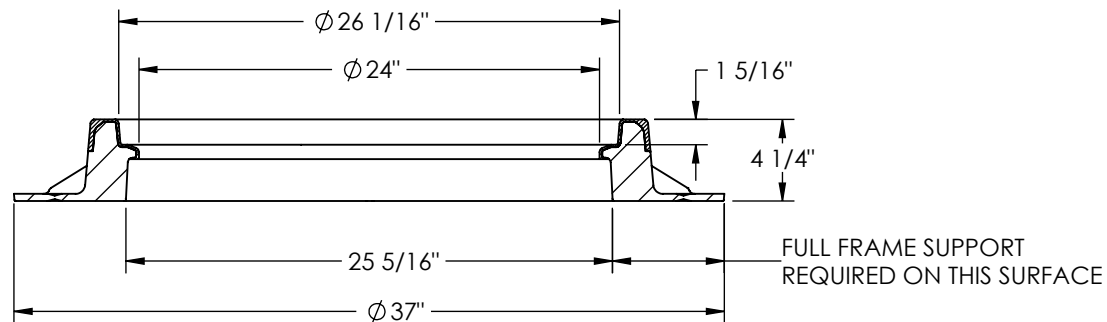
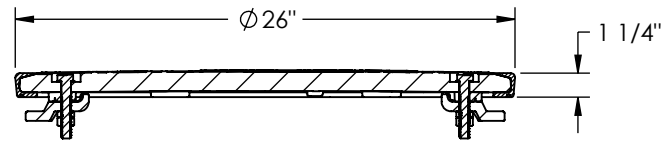
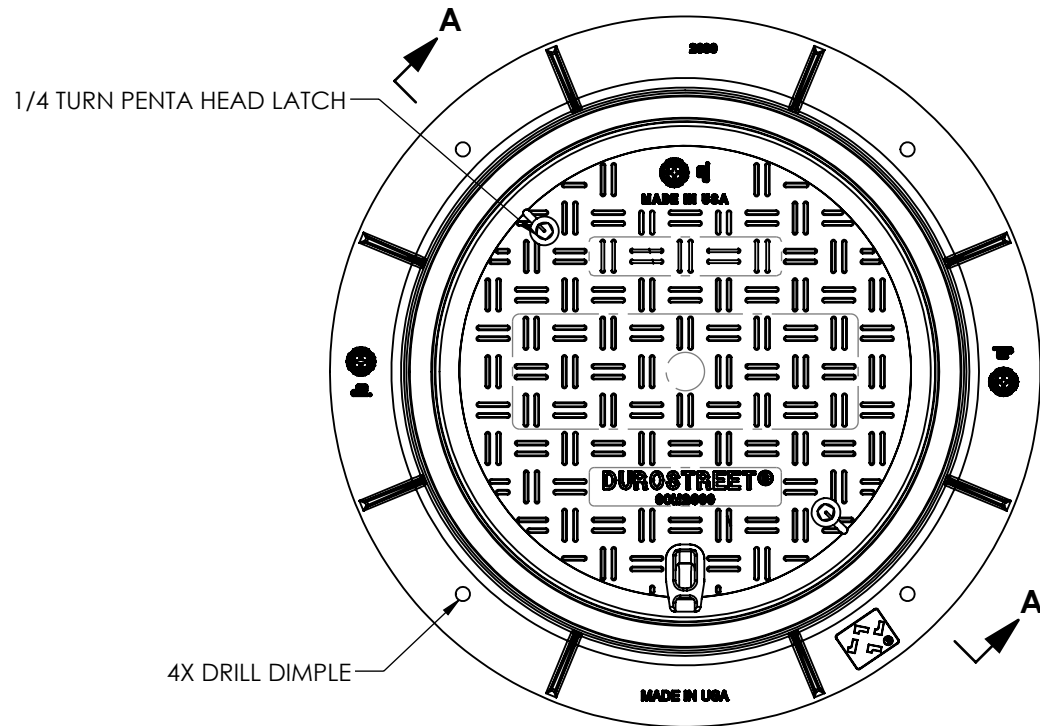


2600 DUROSTREET® Composite Assembly



SECTION A-A

Product Number

COM260223A01

Design Features

- Load Rating
H25 (50,000 lb)
- Estimated Weight
80 lb
- Required Accessory
13/16" Penta-Head Wrench - Sold Separate
- Country of Origin: USA

Performance Specification

- Proofload per AASHTO M306-10
- Max. Operating Temp: 160 °F

Major Components

COM260210
COM260223

Drawing Revision

02/23/2015 Designer: MAH
08/19/2020 Revised By: AJD

Disclaimer

Weights (lbs/kg), dimensions (inches/mm) and drawings provided for your guidance. We reserve the right to modify specifications without prior notice.

CONFIDENTIAL: This drawing is the property of EJ Group, Inc. and embodies confidential information, registered marks, patents, trade secret information, and/or know-how that is the property of EJ Group, Inc. Copyright © 2023 EJ Group, Inc. All rights reserved.

Contact

800 626 4653
ejco.com

Supplied By:

**TRENCHDRAIN
SUPPLY**

877-903-7246

www.trenchdrainsupply.com